

# intrinsically safe level transmitter, ATEX version

# SX LV



- ✓ - Zones : 0, 1, 2
- ✓ - EMC immunity: as per EN 61326.

**CE** **Ex** II 1G Ex ia IIC T6 at Ta ≤ 60°C

**Certificate :**  
**CESI 06 ATEX 003 X**

## 8.XLV - Standard Model

### Instrument classification:

- category 1, atmosphere type G, ignition protection Ex ia IIC as per EN 60079-0, EN 60079-11, EN 60079-26: II 1 G Ex ia IIC (cod. **1GD**).

### Temperature classes (1),

-T6 (T85°C) Ta ≤ 60 °C (cod. **T6B**).

**Ranges:** 0...40 INWC / 0...400 psi, relative (0...0.1 / 0...25 bar, relative).

**Accuracy (% span):** ≤ 0.25 typical; ≤ 0.5 max.

**Calibration:** limit-point as per DIN 16086.

**Repeatability:** ≤ 0,15 % of span.

### Thermal drift:

≤ 0.044 % span / °F (≤ 0,08 % span / °C) for pressure ranges < 100 INWC (0,25 bar);

≤ 0.028 % span / °F (≤ 0,05 % span / °C) for pressure ranges 100... < 15 PSI (0.25... < 1 bar);

≤ 0.011 % span / °F (≤ 0,02 % span / °C) for pressure ranges ≥ 15 PSI (≥ 1 bar).

**Annual drift:** ≤ 0,2 % of span.

**Storage temperature:** +14...+140 °F (-10...+60 °C),

**Output signal:** 4...20 mA (Cod. **1**).

**Compensated temperature range:** +32...+140 °F; (0...+60 °C).

**Case:** stainless steel.

### Sensor:

piezoresistive cell for pressure ranges < 15 PSI (1 bar);

ceramic cell for pressure ranges ≥ 15 PSI (1 bar).

**Filling fluid of piezoresistive cell:** silicone oil.

**Sensor gasket:** VITON (Cod. **FPM**).

**Electric connection:** poliurethane cable, compensated.

**Protection:** submersible.

### Weight:

for pressure ranges < 15 PSI (1 bar) = 0.61 lbs (0,28 kg);

for pressure ranges ≥ 15 PSI (0,6 bar) = 0.48 lbs (0,22 kg).

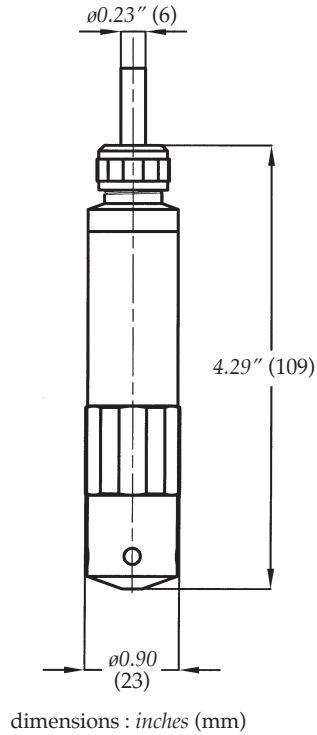
(1) "Tp" : fluid process temperature ≤ "Ta" : ambient temperature;  
"Tp" & "Ta" ≥ -10 °C.

Ranges relative (1)
0...40/0...≤ 240 INWC
0...10 psi
0...15/0...30 psi
0...60 psi
0...100/0...160 psi
0...200 psi
0...300 psi

(1) Other unit of measurement and intermediate ranges, are available, as requested by customer.

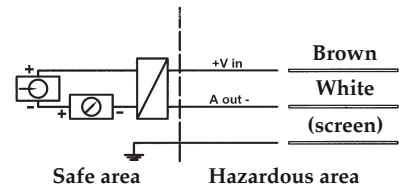
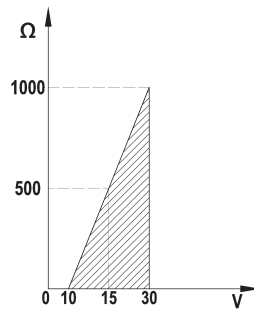
Ranges bar, relative (1)
0...0,1/0...≤ 0,6
0...> 0,6/0...< 1
0...1/0...2,5
0...4
0...6/0...10
0...16
0...25

(1) Other unit of measurement and intermediate ranges, are available, as requested by customer.



Electrical features	
N. of wires	2
Load (Ohm)	$R_L \leq (V_{in}-10)/0,02$
Supply: +Vin	10...30
Max current (Ii)	$\leq 100$ mA
Max power (Pi)	1,0 W
Capacitance (Ci)	19 nF
Inductivity (Li)	0 mH

**Load Resistance**



**“HOW TO ORDER” SEQUENCE**

Section / Model / Range / Output signal / Classification / Temperature / Cable type / Gasket  
**8 XLV 1 1GD T6B I FPM**